

1

2

3

4

5

6

A

B

C

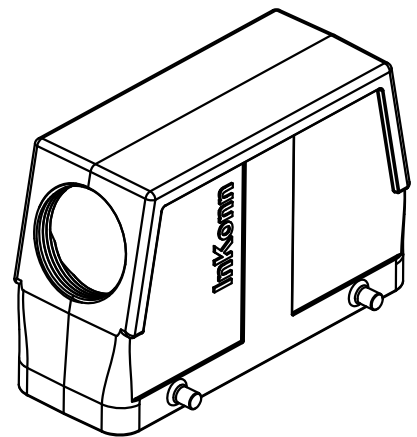
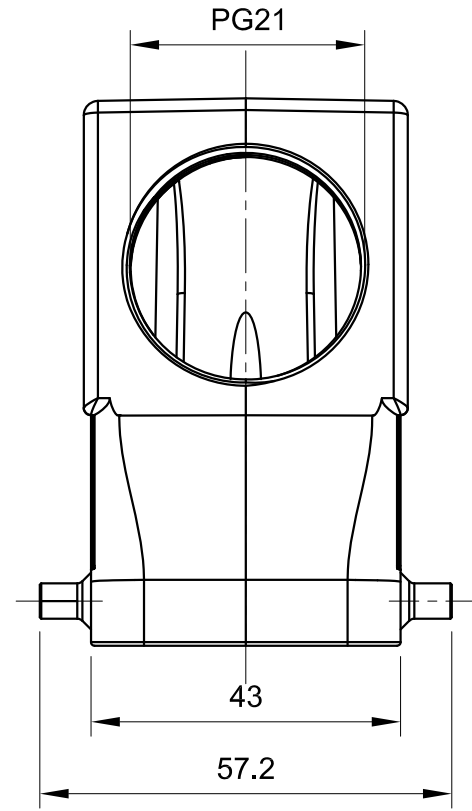
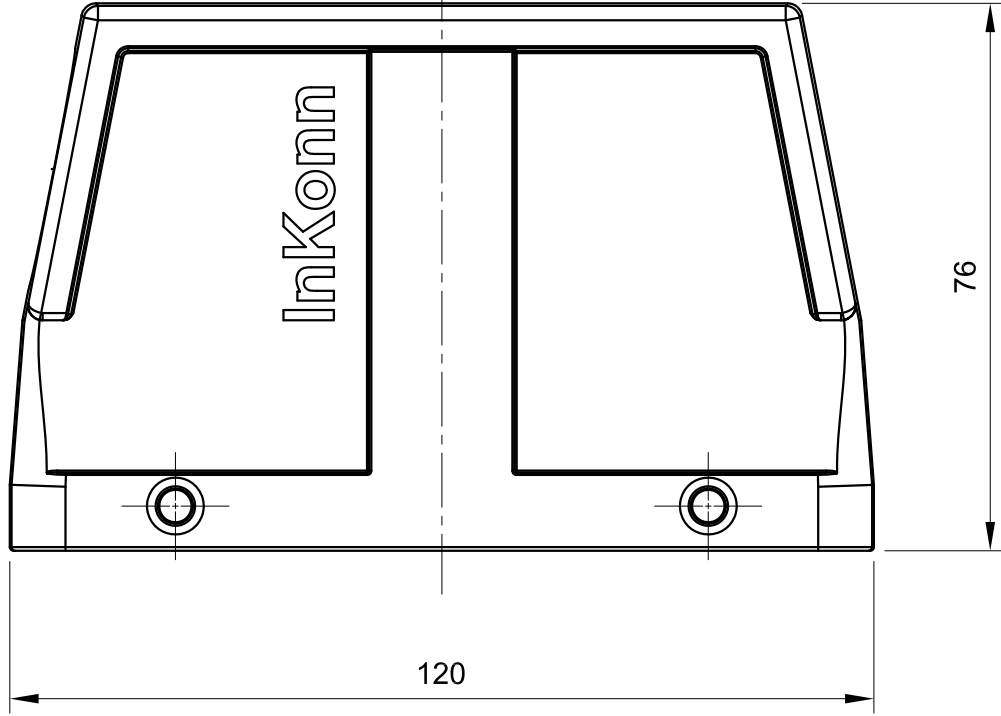
D



A

B

C

D



 All Dimensions in mm Original Size DIN A4	Date 2020-07-10	Drawing No. TC8855010	Rev. A00	Scale 1:1
	 InKonn® InKonn (Suzhou) Electric Technology Co.,Ltd.	Part No. 10 11 824 1143	Created by Shuxu Huang	Checked by Yiyi Luo
Type Name HB24-HSE-QB-PG21				

1

2

3

4

5

6